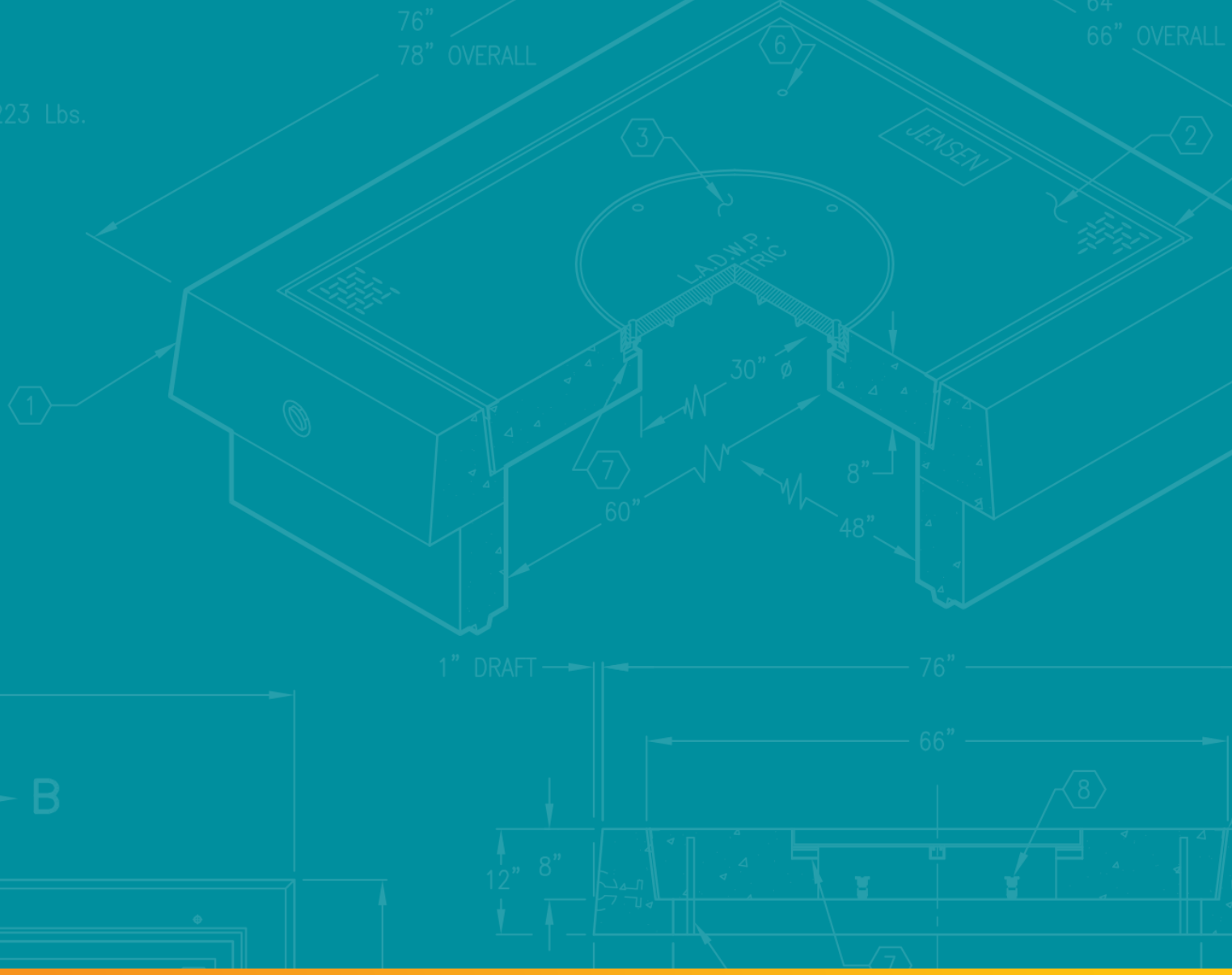


UTILITY STRUCTURES

ELECTRIC





Jensen Precast offers the largest inventory of precast concrete utility products in the Western United States. Our electric utility structures are universally approved by state agencies and utility companies in Arizona, California, Hawaii, Nevada, and Oregon. We work closely with engineers and contractors on standard and custom solutions from design to installation.



ELECTRIC UTILITY STRUCTURES

When Thomas Edison first powered up homes with electric lighting in 1880, it was through a simple two conductor multiple circuit system placed underground. No one had ever done that before. It was the first successful underground power system. Today we place tons of electrical utilities underground to power up our lives 24/7. To keep the lights on, engineers and contractors trust durable precast concrete structures to install, maintain, and protect the grid.

When facing the intricacies of a utility project, the last thing you want to worry about is lining up the right products that work with client expectations. Here's what to look for when your job requires single or multiple electric utility structures.

- Does the company you want to work with have a history of providing products that meet state agency and utility company standards and specifications? Are the products compliant with current industry requirements? Work with a precaster that knows this space inside and out.
- What types of structures does the company offer? How will all the necessary pieces fit together when you are in the field? Go with a manufacturer that can provide the whole package instead of spending time and budget on multiple vendors.
- How handily can you drop a utility structure data sheet into your existing plans? Is all the data approved by the agency or company that owns the project? Rely on a company that can move your job forward from day one and stay with you until everything gets done.
- Will the precast concrete structures you install hold up over time? Does the company use high quality concrete and guarantee its work? Make sure your precaster has the experience, confidence, and wherewithal to come through for you no matter the situation.

Jensen Precast designs, engineers, manufactures, and delivers thousands of industry leading products for utility companies and state agencies in Arizona, California, Hawaii, Nevada, and Oregon. We understand what you need to complete your utility installation on time with the most durable products available.

“Jensen Precast has been our primary vendor of precast concrete utility structures for many years. We rely on them to help us develop custom structures to fit our specific needs, and they have always been able to work with our special requirements successfully.”

—Sa'id Poosti Sr., Engineer, Los Angeles Department of Water and Power



DESIGN

- Tap expert advice from Jensen Precast engineers and product leaders with deep knowledge of current electric utility structure needs.
- Provide accurate specifications for loading conditions and traffic speeds with our guidance on ASTM C1802.
- Download our product data sheets instantly to accompany your plan submittals with the most current designs available.



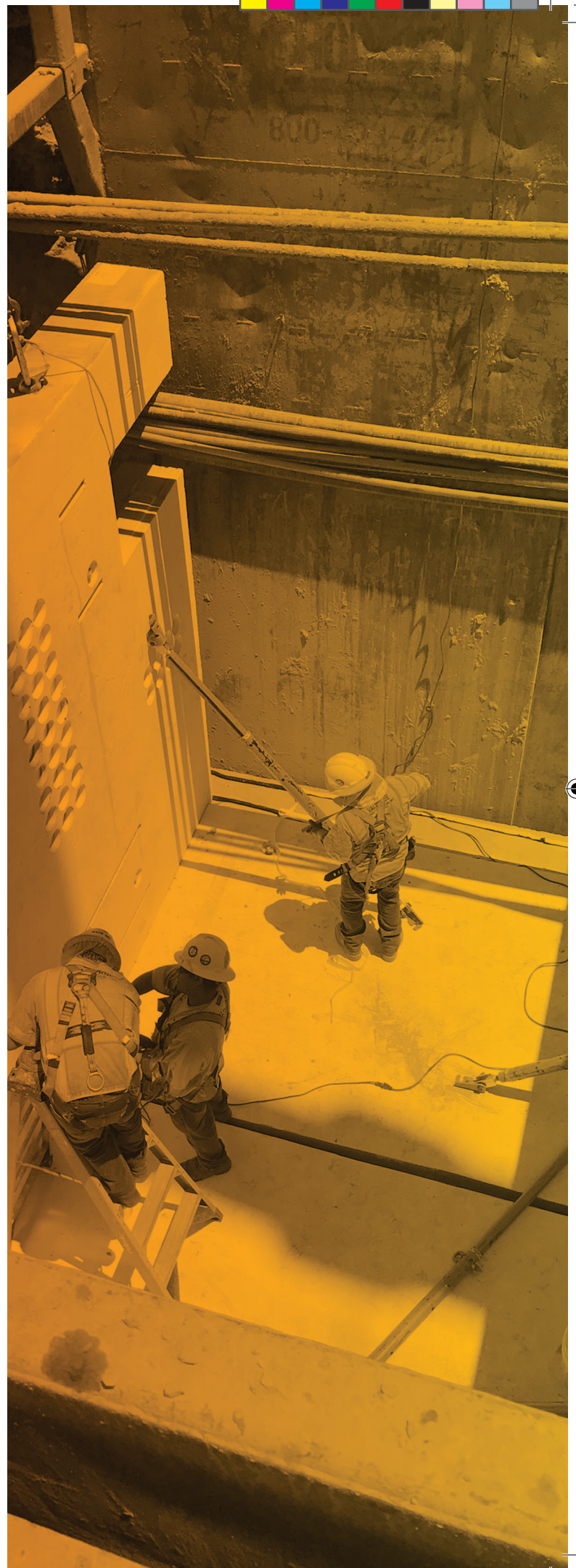
BID

- Order electric utility structures universally approved by state agencies and utility companies.
- Go beyond standard specifications to develop custom solutions with us for your project needs.
- Get professional and comprehensive submittal packages for projects large and small.



BUILD

- Ensure your project moves forward with access to the largest inventory of utility products in the Western United States.
- Secure safe delivery and timely setting of your utility products with our expert drivers and large fleet of boom trucks.
- Gain the same insights and expertise provided to utility companies for developing and updating industry standards for underground utilities.



APPLICATIONS

- Utility companies
- State agencies
- Academic institutions
- Military bases
- Medical facilities
- Solar installations
- Residential communities
- Industrial parks
- Airports and train stations
- Shopping plazas



SOLUTIONS

UTILITY VAULTS AND MANHOLES

- Meet special requirements such as deep bury, high water table, airport, and port KIP loading

TRANSFORMER & EQUIPMENT PADS

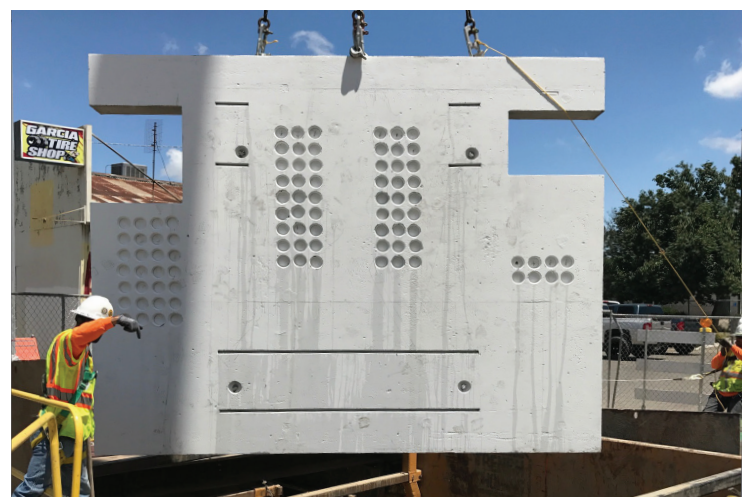
- Slab boxes for easier access, quicker upgrades, and changes to equipment and structure

PULL BOXES & HANDHOLES

- Built in lift holes to make handling and installation quick and effortless
- Brackets for bolt down applications
- Preinstalled snap in place clips to eliminate need for “lock nuts” and washer installation in the field
- TraxPlate® covers for the ultimate in slip resistance
- LockLid™ to prevent pry bar access for copper wire theft

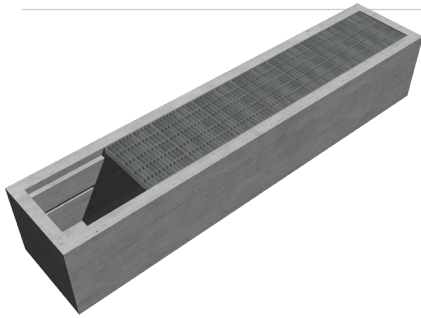
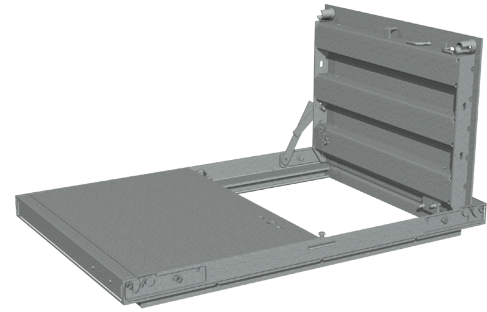
ELECTRICAL TRENCH

- Unlimited capabilities to skew or transition mitered sections, vertical angles, tees, crosses, and side by side trenches.



ACCESS SOLUTIONS

Custom built to any specified design, our access products include spring assisted doors, safety locks, and identification markings. Made of high grade steel and aluminum with TraxPlate® slip resistant covers.



ELECTRICAL TRENCHES

We manufacture trenches in the heights, widths, and lengths you request. We carry multiple forms and unlimited capabilities to skew or transition mitered sections, vertical angles, tees crosses, and side by side trenches.

LIGHT POLE BASES

Easy to install for demanding locations, timelines, or weather conditions, our concrete light pole bases come with conduit holes, anchor bolts, and copper wire.

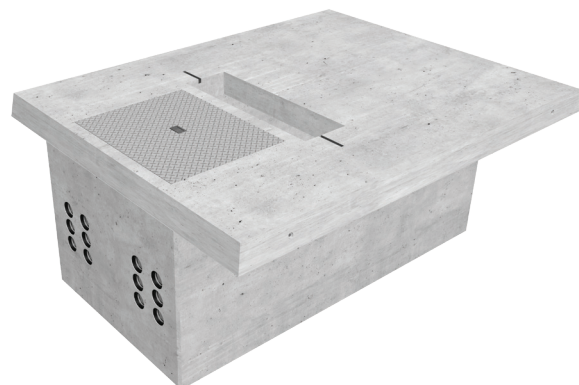


PULL BOXES & HANDHOLES

Built in lift holes make installation effortless. Brackets enable bolt down applications. Preinstalled snap clips eliminate lock nuts and washers. TraxPlate® covers are slip resistance. LockLid™ prevents copper wire theft.

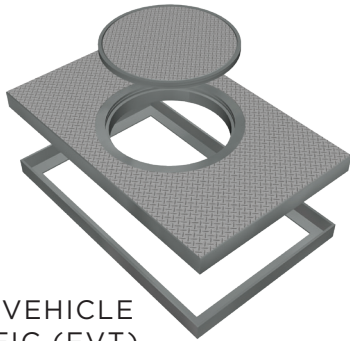
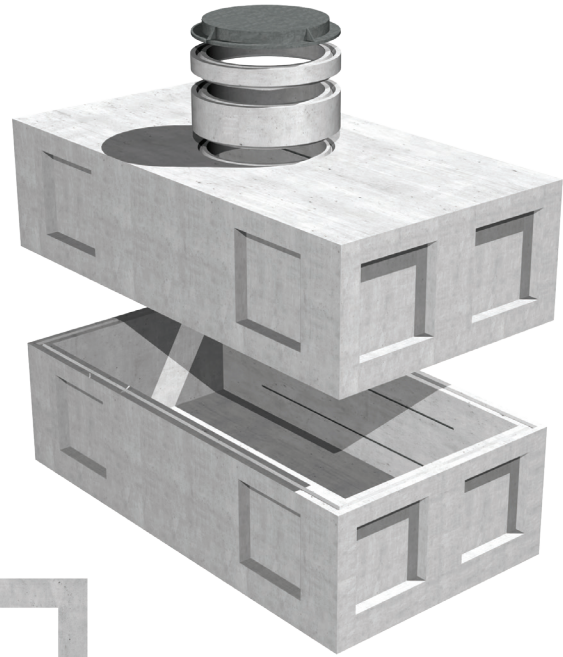
TRANSFORMER PADS & SLAB BOXES

We manufacture durable transformer and equipment pads for electric utility fixtures in standard sizes with customizable options. We offer slab boxes for faster access to equipment and quicker upgrades to the structure.

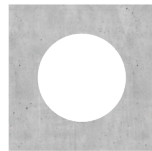


UTILITY VAULTS & MANHOLES

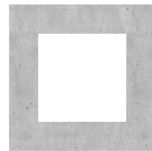
Jensen Precast offers utility vault customization for terminators, knockouts, pulling irons, slots, manway access, coatings, and other requests. Our full line of products includes vaults, manholes, pull boxes, slab boxes, tunnel vaults, and panel vaults.



FULL VEHICLE TRAFFIC (FVT)



MANHOLE OPENING



VAULT OPENING

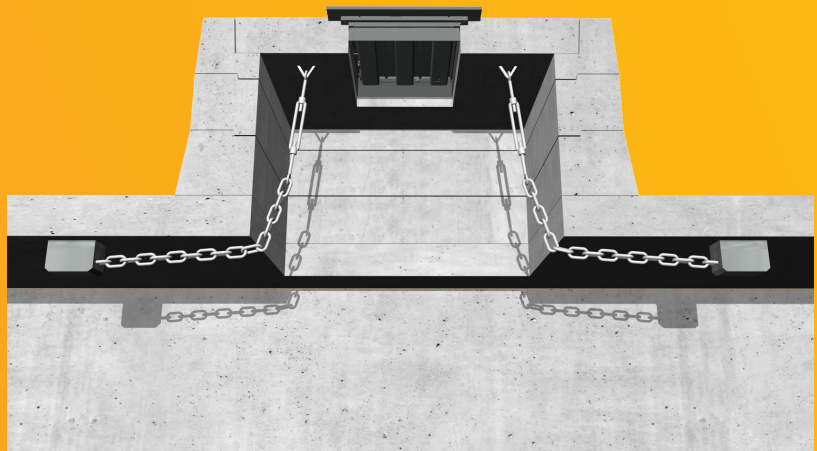
WIDTH	AVAILABLE LENGTHS	WIDTH	AVAILABLE LENGTHS
3'	3', 4', 5', 6'	8'	8', 10', 14', 16', 20'
4'	5', 6', 6'-6", 7'	9'	9'
4-6'	8'-6"	10'	10', 12', 20'
5'	5', 10', 10'-6"	12'	12'
6'	6', 8', 9', 10', 12'	14'	14'
7'	7', 14', 18'		

ADDITIONAL PRODUCTS

- Perimeter security walls
- Protective firewalls

EXPLOSION PROOF MANHOLES

Jensen Precast is a leader in the effort to prevent injuries and power outages due to exploding manholes. We provide you with options for vault and manhole cover restraints based on the requirements of the utility company or state agency.



Jensen Precast designs, engineers, and manufactures precast concrete products for the growing infrastructure needs of communities, businesses, and government agencies.



**BOX
CULVERT**



**REINFORCED
CONCRETE PIPE**



**SEWER &
STORM DRAIN
MANHOLES**



**DRAINAGE
INLETS &
CATCH BASINS**



**STORMWATER
SYSTEMS**



**PUMP
STATIONS**



**ONSITE
WASTEWATER
SYSTEMS**



**INTERCEPTORS
& SEPARATORS**



**EARTH
RETENTION
SYSTEMS**



**CONCRETE
FENCE**



**BUILDINGS
& SHELTERS**



**HIGHWAY
BARRIERS**



**UTILITY
STRUCTURES
ELECTRIC**



**UTILITY
STRUCTURES
TELECOM**



**UTILITY
STRUCTURES
NATURAL GAS**



**UNDERGROUND
ENCLOSURES**

LOCATIONS & CONTACT

CORPORATE OFFICE

Reno, Nevada
(775) 352-2700

ARIZONA

Phoenix (602) 268-0228
Tucson (520) 748-1607

CALIFORNIA

Fontana (909) 350-4111
Kingsburg (559) 248-0270
Lakeside (619) 219-8430
Lockeford (209) 727-5573
Martinez (925) 222-3471
Ontario (909) 983-9789
Orland (530) 865-4277
Sacramento (916) 991-8800
Santa Rosa (916) 991-8800

HAWAII

Kapolei (808) 528-1175

NEVADA

Las Vegas (702) 649-0045
Sparks (775) 359-6200

WASHINGTON

Camas (360) 834-3459
Puyallup (253) 929-1818
Shelton (253) 884-4008

Jensen Precast is ready to assist you with job quotes, designs, and products. Contact your nearest branch location or reach us at (775) 352-2700 or info@jensenprecast.com



For more information, go to jensenprecast.com